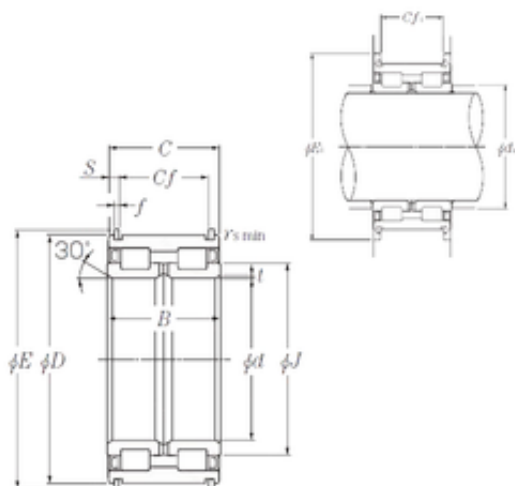




# Jinan Longli Machinery Parts Co., Ltd

## SL04-5044NR NTN Cylindrical Roller Bearing

Bearing No. SL04-5044NR



SL04-5044NR Bearing 2D drawings and 3D CAD models

Size	220x340x160 mm
Bore Diameter	220 mm
Outer Diameter	340 mm
Width	160 mm
d	220 mm
D	340 mm
B	160 mm
C	159 mm
E1	380 mm
t	2,5 mm
f	6 mm
r min.	1,1 mm
E	357 mm
J	260 mm
S	14,5 mm
da	228,5 mm
Cf	130 mm
Cf1	130 mm
Weight	55,5 Kg
Basic dynamic load rating (C)	1 640 kN
Basic static load rating (C0)	3 300 kN
Category	Roller Bearings
Inventory	0.0
Manufacturer Name	NTN
Minimum Buy Quantity	N/A
Weight / Kilogram	55.4



# Jinan Longli Machinery Parts Co., Ltd

Product Group	B04144
---------------	--------